

Vacuum pad - M series installation accessories - fixed installation type

Example:



① Vacuum cup bracket type

	PA Fixed top vacuum port	PB Fixed side vacuum port	PC Spring top vacuum port	PD Spring type side vacuum port

② Applicable pad specifications

Unit: mm

code	Applicable pad specifications
1	M-P1.5AF M-P2AF M-P3.5AF M-P4J
2	M-P2x4AF M-P3.5x7AF
3	M-P5AF M-P6AF M-P8AF M-P10AF M-P15AF M-P6J M-P8J M-P10J M-P15J M-P10AA M-P15AA M-P20AA M-P15BA M-P20BA M-P5C M-P7C M-P10C M-P15C M-P20C
4	M-P20F M-P20BF M-P25F M-P30F M-P35F M-P40F M-P50F M-P20J M-P25J M-P30J M-P35J M-P40J M-P50J M-P25BA M-P30BA M-P30C M-P40C M-P60C
5	M-P60F M-P80F M-P95F M-P60J M-P70J M-P80J
6	M-P120F M-P150F M-P200F
7	M-P90C

③ Installation thread specification

Mounting thread	M5	M6	M8	M10
Specifications	M5x0.5	M6x1	M8x0.75	M10x1
Mounting thread	M12	M14	M20	M24
Specifications	M12x1	M14x1	M20x1	M24x2

④ Installation thread specification

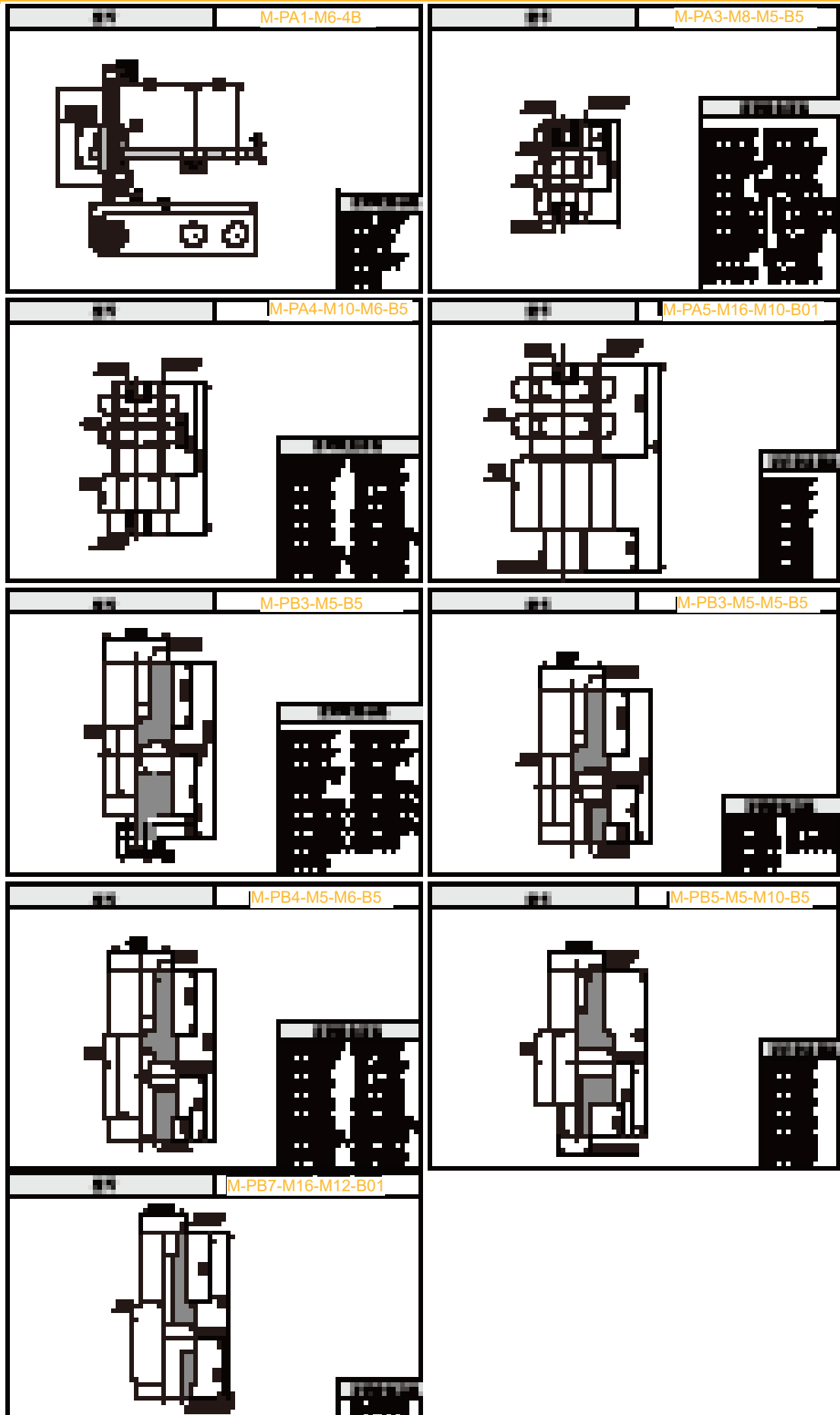
Mounting thread	Internal thread				
	nothing	M4	M6	M10	M20
Specifications	All in one	M4x0.7	M6x1	M10x1.5	M20x2

⑤ Vacuum interface

Vacuum interface	Applicable specifications	style	Internal thread specification	
Quick connector	4J Ø4x2.5Hose		B3	M3x0.5
	6J Ø6x4Hose		B4	M4x0.7
			B5	M5x0.8
Bamboo shoot joint	4B Ø4x2.5Hose		B6	M6x1
	6B Ø6x4Hose		B01	Rc1/8
			B02	Rc1/4

M

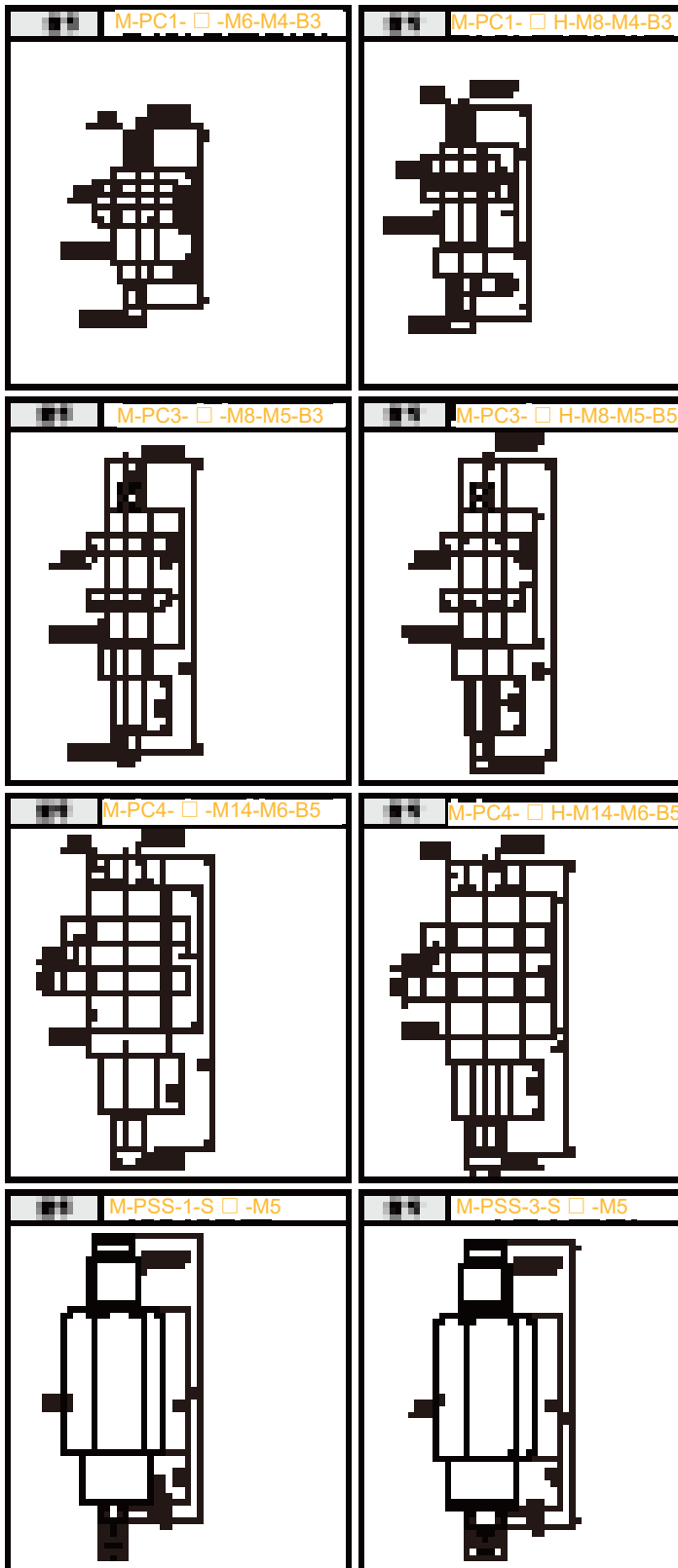
Vacuum pad - M series mounting accessories - spring mounting type



M

Vacuum pad - M series mounting accessories - spring mounting

M



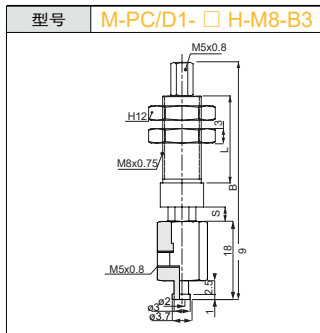
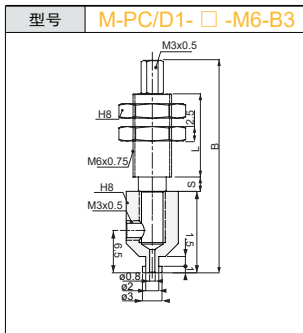
model	trip S	Total height B	Mounting thread	Suction cup connection port	Vacuum interface	L
PC1-3-M6-M4-B3	3	28	M6X0.75	M4x0.7	M3x0.5	15
PC1-6-M6-M4-B3	6	31.5	M6X0.75	M4x0.7	M3x0.5	15
M-PC1-3H-M8-M4-B3	3	39	M8x0.75	M4x0.7	M3x0.5	17
M-PC1-10H-M8-M4-B3	10	46.5	M8x0.75	M4x0.7	M3x0.5	17
M-PC1-15H-M8-M4-B3	15	58	M8x0.75	M4x0.7	M3x0.5	24.5

model	trip S	Total height B	Mounting thread	Suction cup connection port	Vacuum interface	L
M-PC3-3-M8-M5-B5	3	38.5	M8x0.75	M5x0.8	M5x0.8	17
M-PC3-10-M8-M5-B5	10	47	M8x0.75	M5x0.8	M5x0.8	17
M-PC3-15-M8-M5-B5	15	59	M8x0.75	M5x0.8	M5x0.8	24.5
M-PC3-3H-M8-M5-B5	3	38.5	M8x0.75	M5x0.8	M5x0.8	17
M-PC3-10H-M8-M5-B5	10	47	M8x0.75	M5x0.8	M5x0.8	17
M-PC3-15H-M8-M5-B5	15	59	M8x0.75	M5x0.8	M5x0.8	24.5

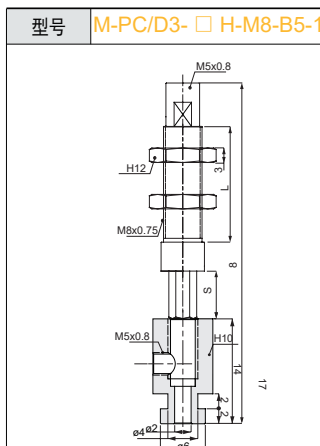
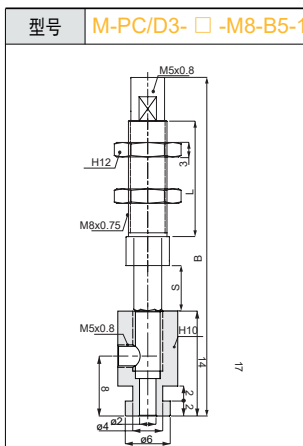
model	trip S	Total height B	Mounting thread	Suction cup connection port	Vacuum interface	L
M-PC4-6-M14-M6-B5	6	53.5	M14x1	M6x1	M5x0.8	17
M-PC4-15-M14-M6-B5	15	62.5	M14x1	M6x1	M5x0.8	17
M-PC4-30-M14-M6-B5	30	99.5	M14x1	M6x1	M5x0.8	24.5
M-PC4-6H-M14-M6-B5	6	53.5	M14x1	M6x1	M5x0.8	28
M-PC4-15H-M14-M6-B5	10	64.5	M14x1	M6x1	M5x0.8	28
M-PC4-30H-M14-M6-B5	15	99.5	M14x1	M6x1	M5x0.8	50

model	trip S	Total height B	Mounting thread	Suction cup connection port	Vacuum interface	E
PSS-1-S3-M5	3	23.5	M5x0.8	-	-	11.5
PSS-1-S6-M5	6	27.5	M5x0.8	-	-	13.5
PSS-3-S3-M5	3	25	M5x0.8	-	-	11.5
PSS-3-S6-M5	6	29	M5x0.8	-	-	13.5

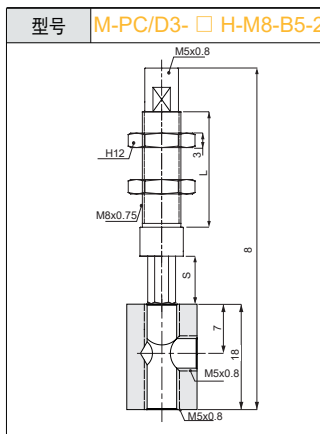
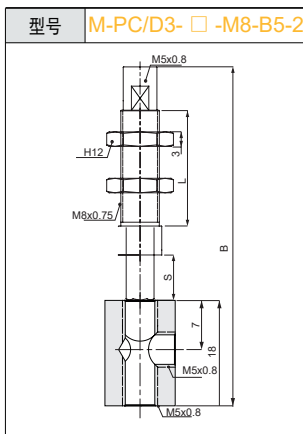
Vacuum pad - M series mounting accessories - spring mounting type



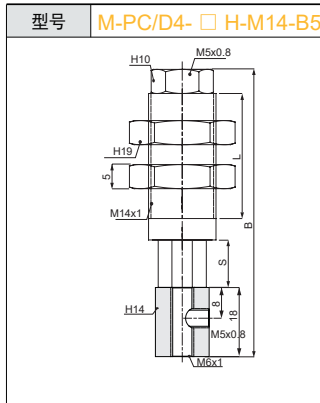
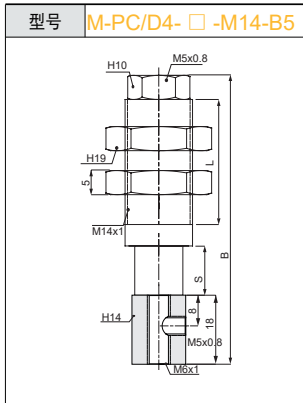
model	trip S	Total height B	Mounting thread	Vacuum interface	L
M-PC/D1-3-M6-B3	3	37	M6X0.75	M3x0.5	15
M-PC/D1-6-M6-B3	6	40.5	M6X0.75	M3x0.5	15
M-PC/D1-3H-M8-B3	3	48	M8x0.75	M3x0.5	17
M-PC/D1-10H-M8-B3	10	55.5	M8x0.75	M3x0.5	17
M-PC/D1-15H-M8-B3	15	67	M8x0.75	M3x0.5	24.5



model	trip S	Total height B	Mounting thread	Vacuum interface	L
M-PC/D3-3-M8-B5-1	3	55.5	M8x0.75	M5x0.8	17
M-PC/D3-10-M8-B5-1	10	64	M8x0.75	M5x0.8	17
M-PC/D3-15-M8-B5-1	15	76	M8x0.75	M5x0.8	24.5
M-PC/D3-3H-M8-B5-1	3	55.5	M8x0.75	M5x0.8	17
M-PC/D3-10H-M8-B5-1	10	64	M8x0.75	M5x0.8	17
M-PC/D3-15H-M8-B5-1	15	76	M8x0.75	M5x0.8	24.5



model	trip S	Total height B	Mounting thread	Vacuum interface	L
M-PC/D3-3-M8-B5-2	3	55.5	M8x0.75	M5x0.8	17
M-PC/D3-10-M8-B5-2	10	64	M8x0.75	M5x0.8	17
M-PC/D3-15-M8-B5-2	15	76	M8x0.75	M5x0.8	24.5
M-PC/D3-3H-M8-B5-2	3	55.5	M8x0.75	M5x0.8	17
M-PC/D3-10H-M8-B5-2	10	64	M8x0.75	M5x0.8	17
M-PC/D3-15H-M8-B5-2	15	76	M8x0.75	M5x0.8	24.5

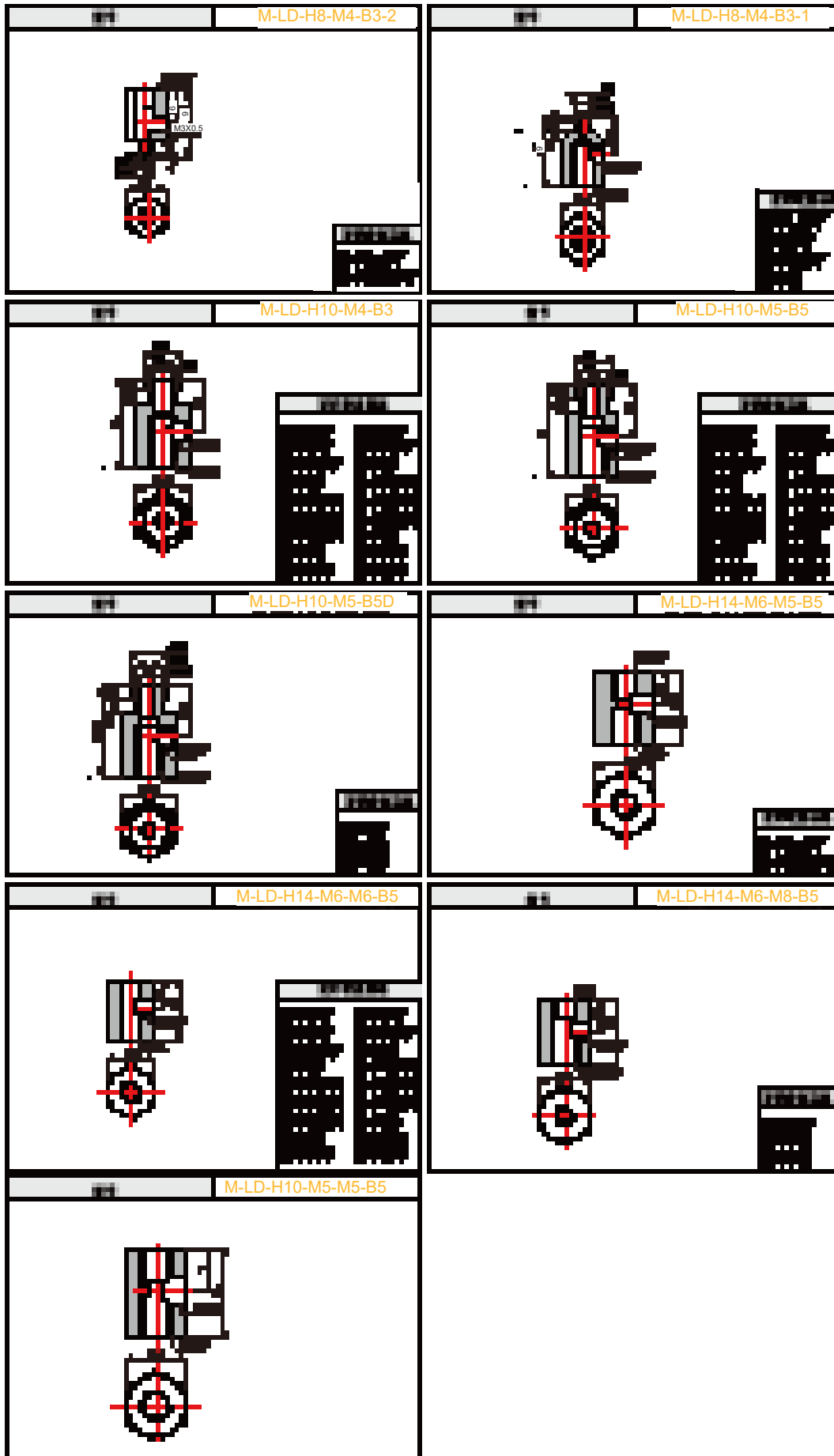


model	trip S	Total height B	Mounting thread	Vacuum interface	L
M-PC/D4-6-M14-B5	6	71.5	M14x1	M5x0.8	17
M-PC/D4-15-M14-B5	15	80.5	M14x1	M5x0.8	17
M-PC/D4-30-M14-B5	30	117.5	M14x1	M5x0.8	24.5
M-PC/D4-6H-M14-B5	6	71.5	M14x1	M5x0.8	28
M-PC/D4-15H-M14-B5	10	80.5	M14x1	M5x0.8	28
M-PC/D4-30H-M14-B5	15	117.5	M14x1	M5x0.8	50

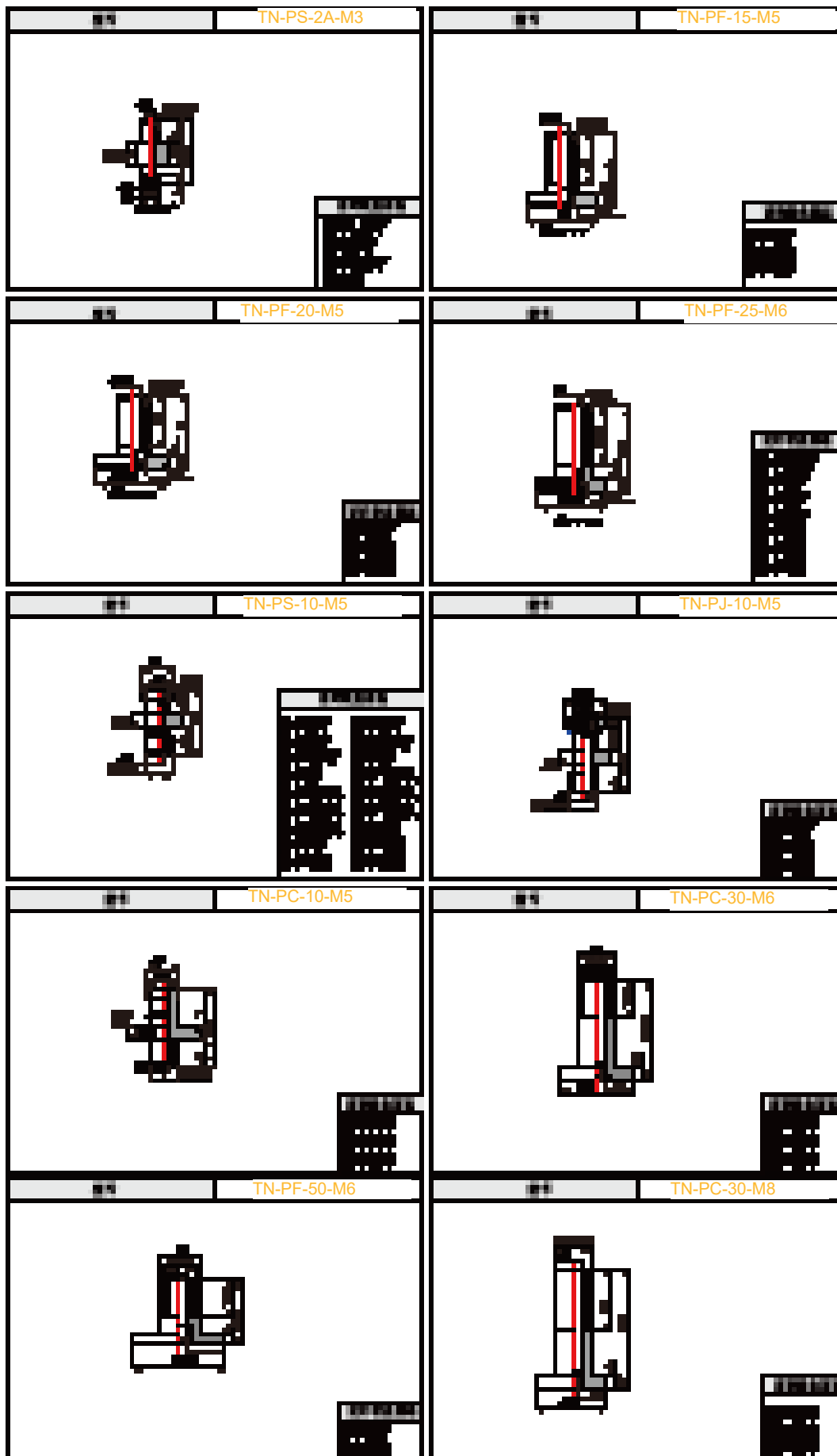
M

Vacuum pad - M series installation accessories - fixed installation type

M



Vacuum pad - M series adapter - screw



M

Vacuum pad - M series adapter - screw

M

